

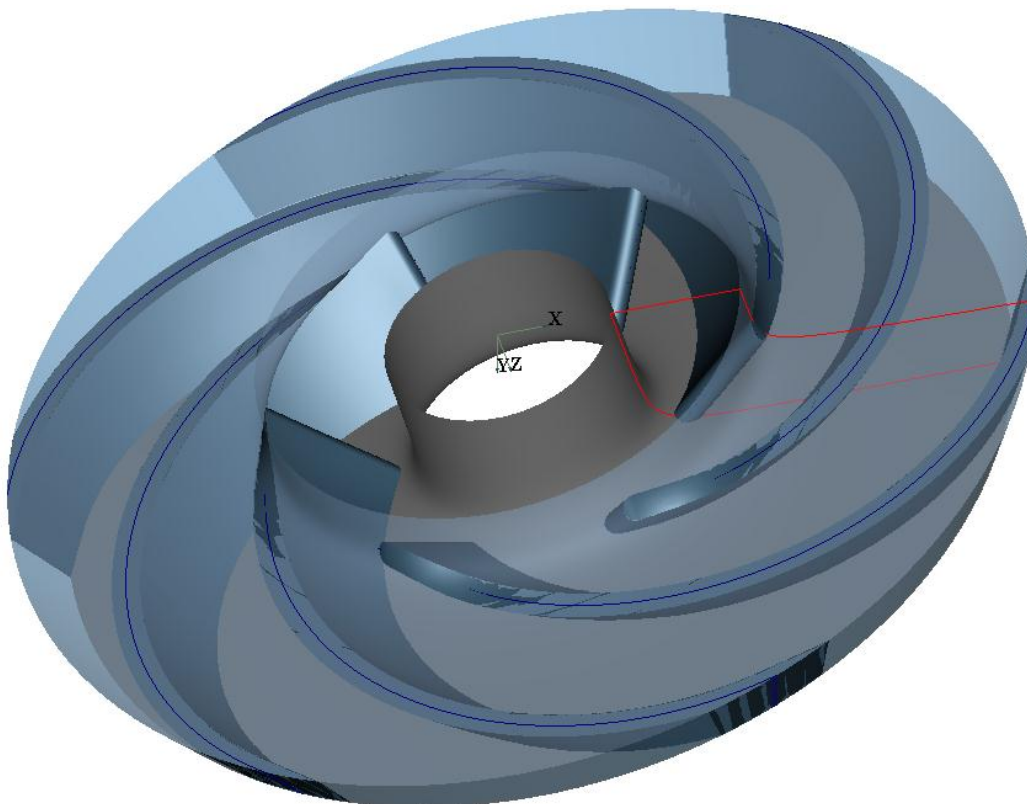
# DETAILED BROCHURE - MR013B12

## Technical Parameters

Model No	MR013B12
Type of flow	Radial flow
Borewell Size	6"
Flow Rate	013 m <sup>3</sup> /hr ( 217 LPM)
Head / Stage	12 Mtrs
Shut off Head	22.1 Mtrs
Power driven by pump / stage	0.594 KW (0.80 HP )
Pump Efficiency	72 %
Rated RPM	2880 @ 50 Hz
No. of Blades / Blade Shape	6 (CCW) / 3D
Production Method	Investment Casting
Compatible Diffuser Model No.	MRD013B012

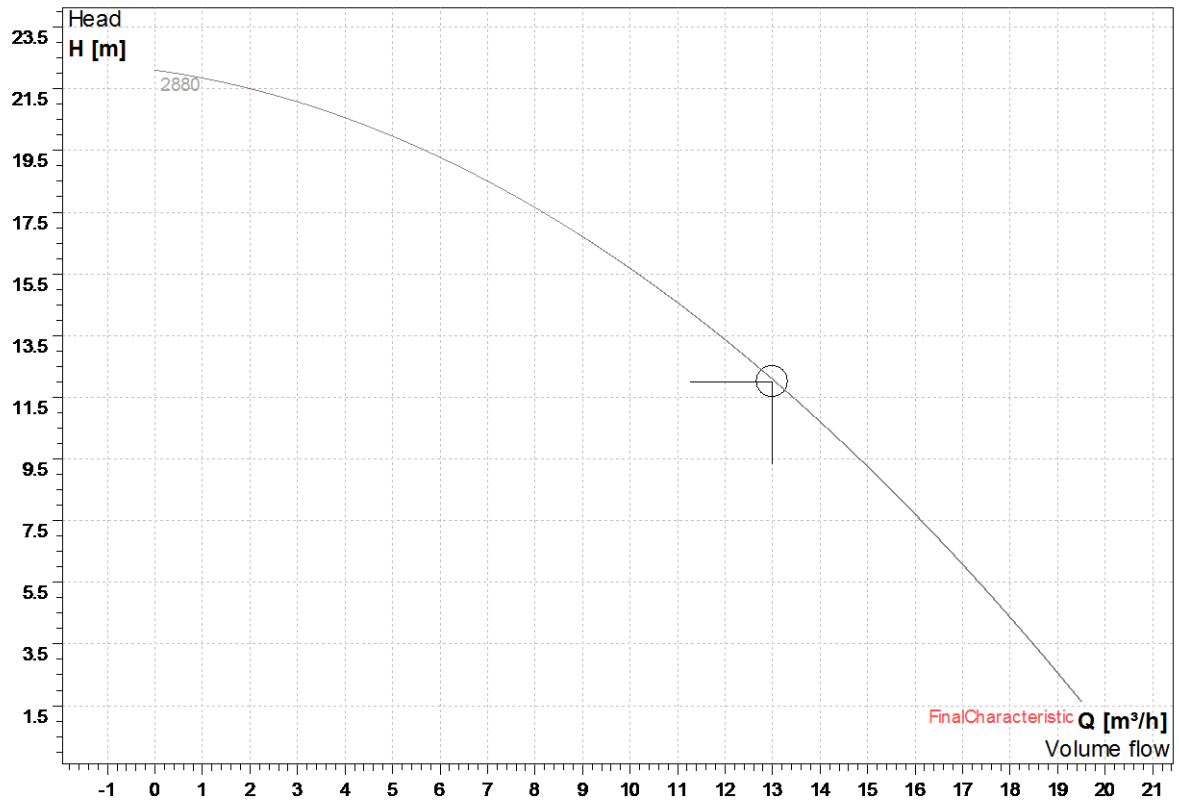
Pump Efficiency @ different Head				
	Head (Mtrs)	Flow Rate		Pump Efficiency (%)
		(m <sup>3</sup> /hr)	LPM	
<b>1</b>	12 (Duty Point)	013	217	72
<b>2</b>	10.80 (-10%)	15.26	250	69
<b>3</b>	15.00 (+25%)	11.58	183	71

## Conceptual Design of Impeller

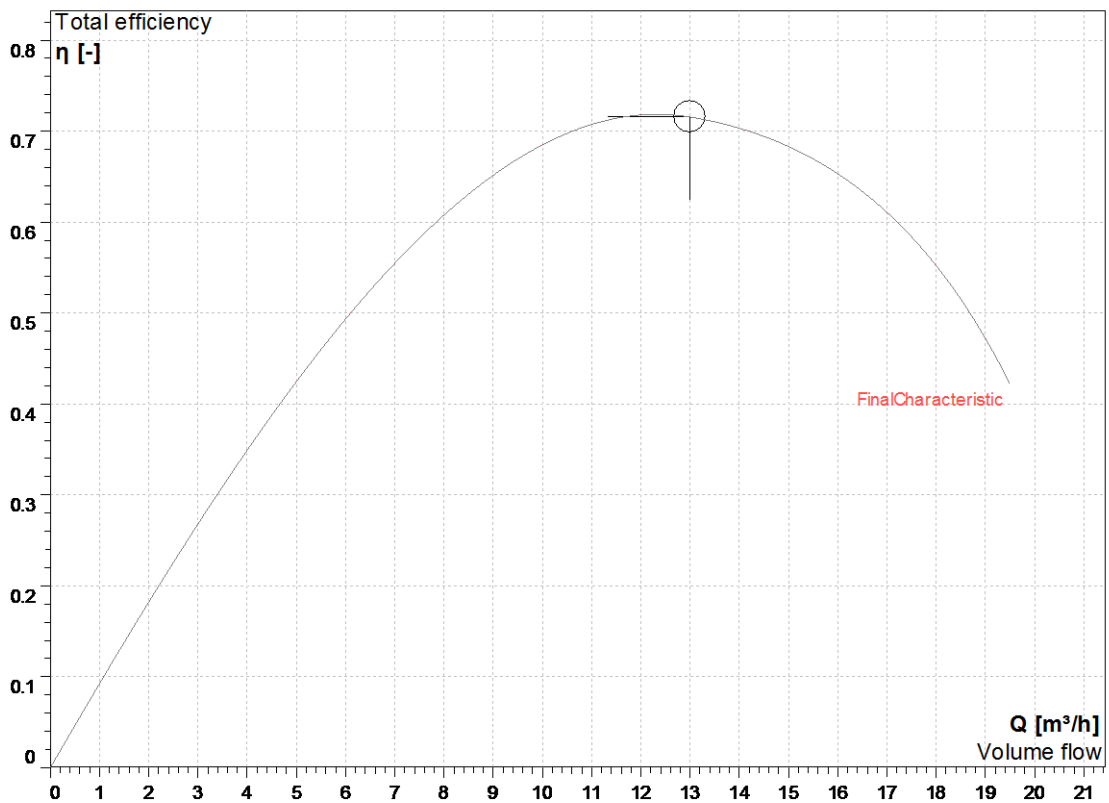


## PERFORMANCE GRAPHS

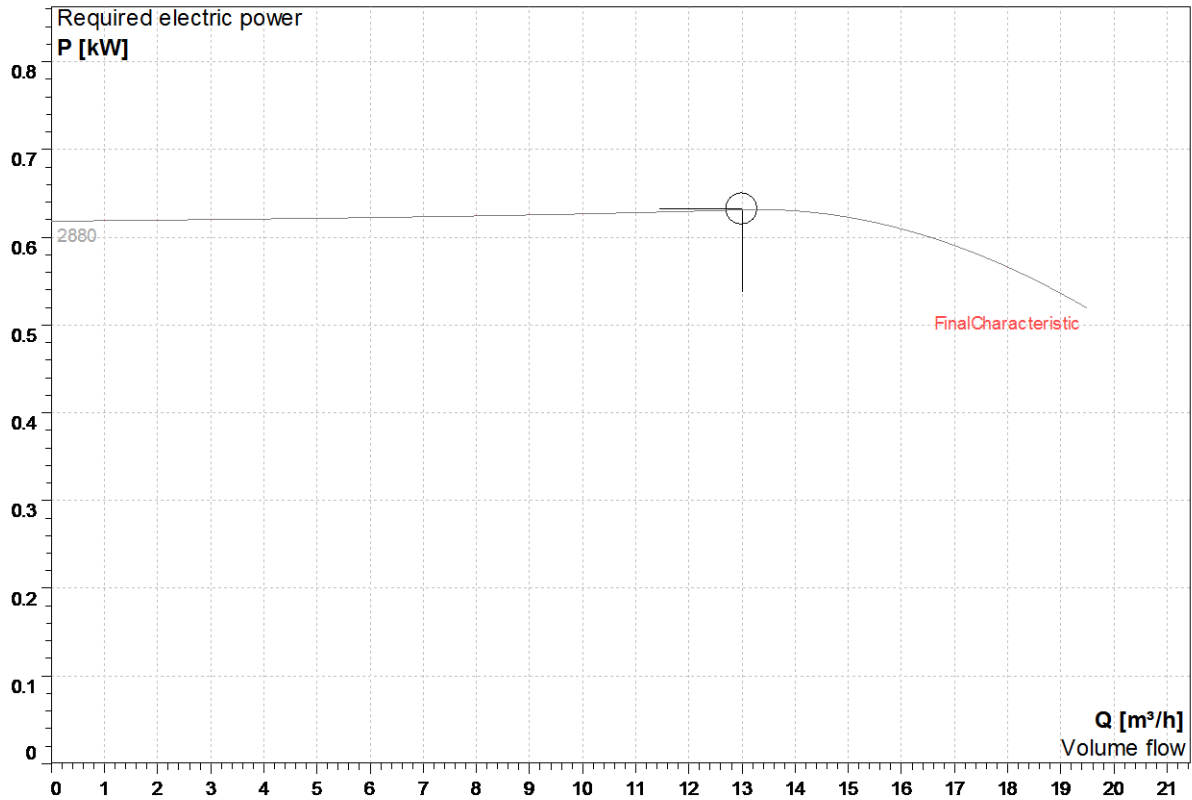
### 1. Volume Flow vs. Head



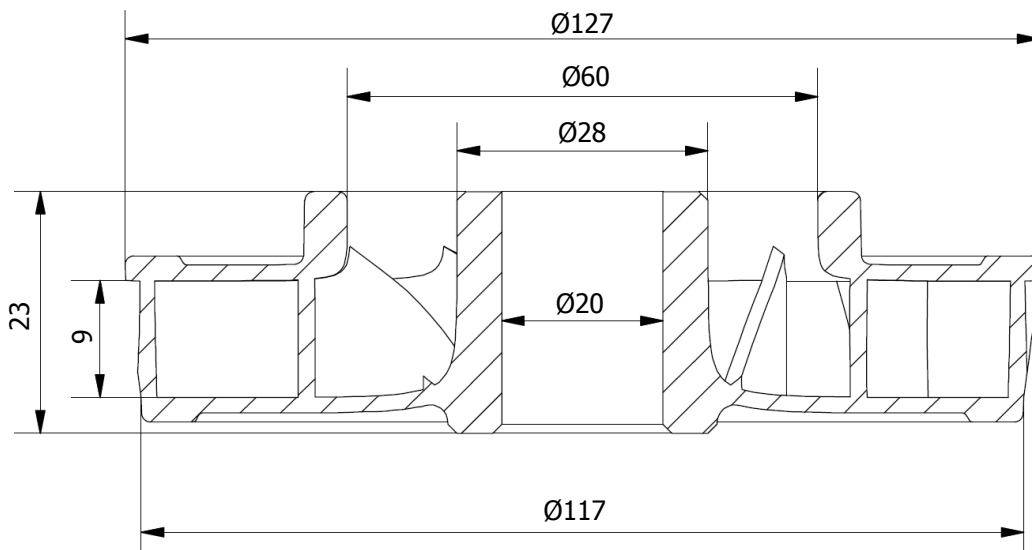
### 2. Volume Flow vs. Total Efficiency



### 3. Volume Flow vs. Required Driving Power



### OVERALL DIMENSIONS (Not to Scale)



**Note:** All Dimensions are in mm.

For Your query related to this product please write us on [microcare25@microcaregroup.com](mailto:microcare25@microcaregroup.com)

Or fill up the Inquiry form given on our website. [Click here to open Inquiry page](#)

