

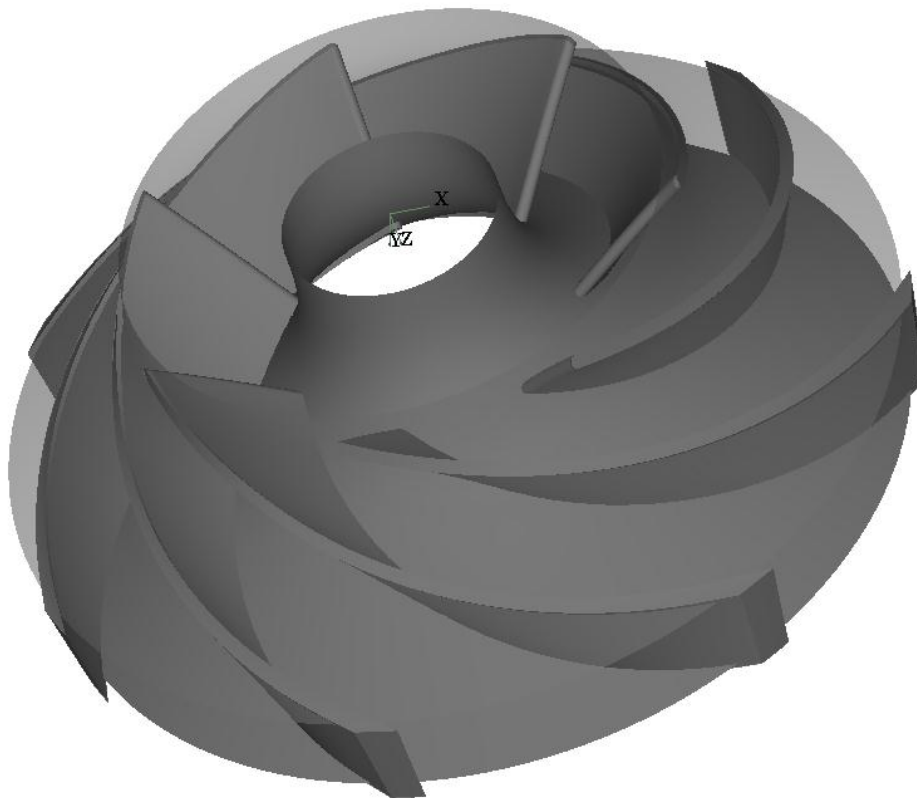
DETAILED BROCHURE - MM068C16

Technical Parameters

Model No	MM068C16
Type of flow	Mixed flow
Borewell Size	8"
Flow Rate	68 m ³ /hr (1133 LPM)
Head / Stage	16 Mtrs
Shut off Head	23.2 Mtrs
Power driven by pump / stage	3.5 KW (4.69 HP)
Pump Efficiency	84 %
Rated RPM	2880 @ 50 Hz
No. of Blades	6 (CCW)
Production Method	Investment Casting
Compatible Bowl Model No.	MMB068C16

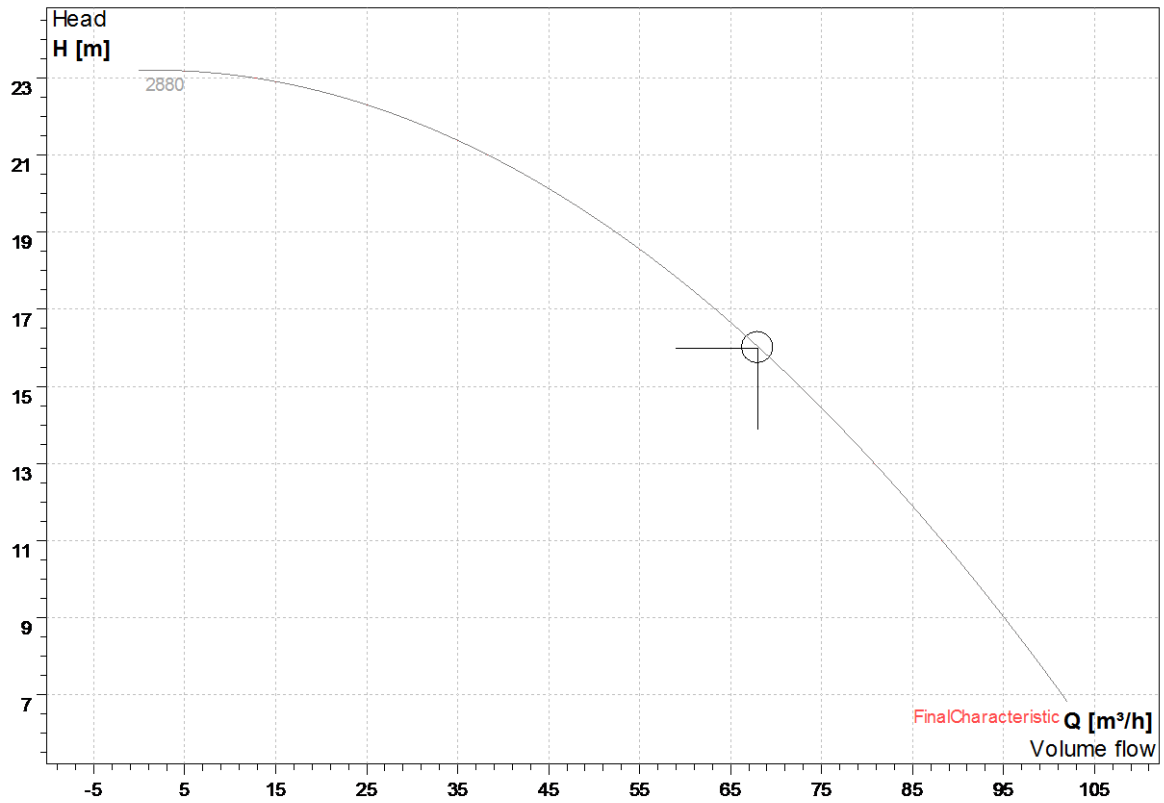
Pump Efficiency @ different Head				
	Head (Mtrs)	Flow Rate		Pump Efficiency (%)
		(m ³ /hr)	LPM	
1	16 (Duty Point)	68	1133	84
2	14.40 (-10%)	76.4	1267	79
3	20.00 (+25%)	46.7	767	73

Conceptual Design of Impeller

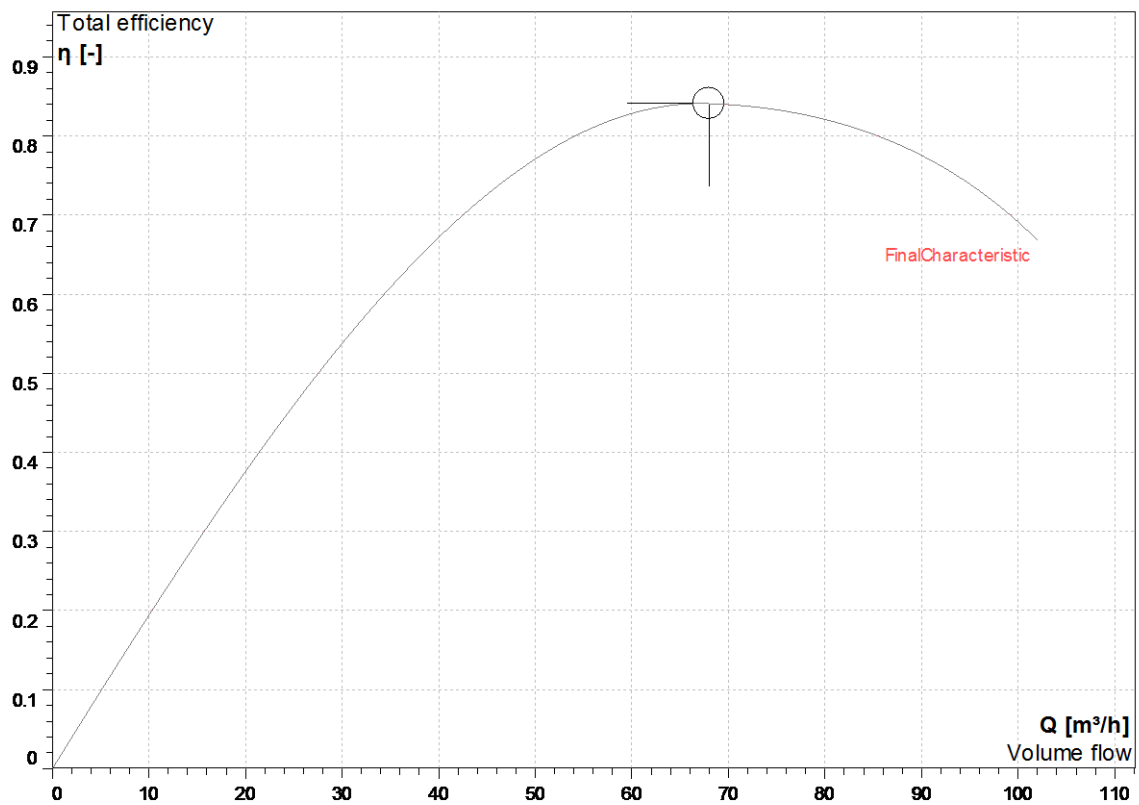


PERFORMANCE GRAPHS

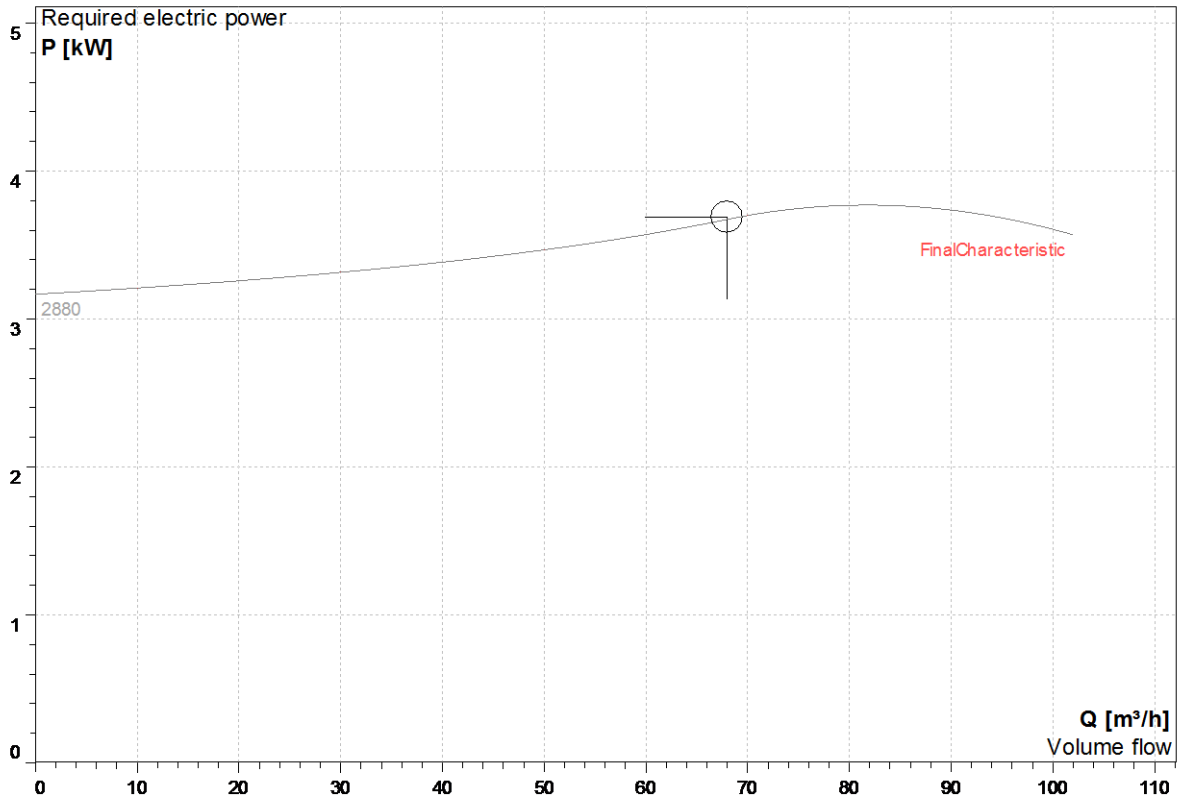
1. Volume Flow vs. Head



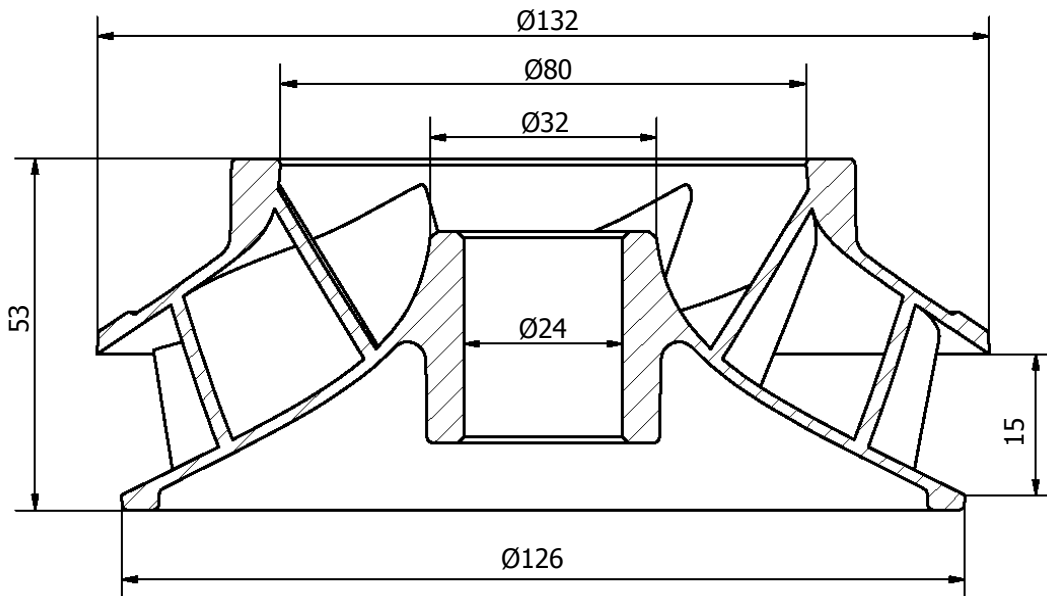
2. Volume Flow vs. Total Efficiency



3. Volume Flow vs. Required Driving Power



OVERALL DIMENSIONS (Not to Scale)



Note: All Dimensions are in mm.

For Your query related to this product please write us on microcare25@microcaregroup.com

Or fill up the Inquiry form given on our website. [Click here to open Inquiry page](#)